



PIPE TOOLS & VISES
SINCE 1896







RGCOMBO2
#09200



OPERATOR'S MANUAL
RGCOMBO2
PORTABLE ROLL GROOVER

MANUAL DE INSTRUCCIONES
RANURADORA PORTÁTIL

MANUEL DE L'OPÉRATEUR
COUTEAU À RAINURER
PORTABLE

 WARNING		ATENCIÓN
	Clothing/gloves can be caught in moving parts. Fingers can be crushed.	Ropa / guantes pueden quedar atrapados en las partes móviles. Los dedos pueden ser aplastados.
	<ul style="list-style-type: none"> Keep hands away from grooving rolls. Use footswitch. Read Operator's Manual. 	<ul style="list-style-type: none"> Mantenga las manos alejadas de los rodillos. Utilice el pedal. Lea el manual de instrucciones
 AVERTISSEMENT		
	Les vêtements et les gants peuvent se coincer dans les pièces mobiles. Les doigts peuvent être écrasés.	
	<ul style="list-style-type: none"> Éloigner les mains des rouleaux de rainurage. Utiliser la pédale. Lire le manuel de l'opérateur. 	

REED MANUFACTURING COMPANY

1425 WEST EIGHTH ST. ERIE, PA 16502 USA PHONE: 800-666-3691 OR 814-452-3691 FAX: 800-456-1697 OR 814-455-1697

www.reedmfgco.com

0217-59200



Description and Specifications

Description

The Reed RGCOMBO2 Roll Groover is designed to form standard rolled grooves in steel, stainless steel and aluminum pipe, from 1 1/4" to 6", in both Schedule 10 and Schedule 40 pipe. The groove is formed by the groove roll which is fed into the pipe wall. The pipe is supported on the inside by a drive roll, which is relieved to permit pipe wall deformation. The formed grooves comply with the specifications required for mechanical coupling systems. The only adjustment required is for the depth of the groove.

Designed for portability, the RGCOMBO2 Roll Groover is an economical solution to the job-site grooving requirements in mechanical piping system installations. Although the RGCOMBO2 design has many improvements over similar competitors' models, **it is not intended for production work in the fab shop.**

The RGCOMBO2 Roll Groover is designed for use with the Reed #05301 5301PD Power Drive.

Specifications

Capacity	1 1/4" - 6" (32 - 152 mm) Schedule 10
	1 1/4" - 6" (32 - 152 mm) Schedule 40
Depth Adjustment	Adjusting Screw and Included Depth Gauges
Actuation	Feed Screw (included ratchet wrench)
REED 5301 Power Drive Mounting	RIDGID® 300 Power Drive (38 RPM model only)
Weight	31.4 lbs.

Standard Equipment

Groove Roll	1 1/4" - 6"
Drive Roll (Drive Shaft)	1 1/4" - 6"
Feed Handle	Included Ratchet Wrench
Support Means	Included Support Rods

Recommended Accessories

- Reed JHV Pipe Jack with JTA Ball Transfer Head, or JH2R Roller Head Jack
- Reed 2-71 Pipe Reamer
- Reed 5301PD Power Drive

Important - Before Operating

Before operating the RGCOMBO2 Roll Groover, read and follow all safety information and instructions in the operator's manual.

Safety Information

WARNING!

Serious injury can occur if all safety information and operating instructions are not followed. These injuries could include:

Loss of fingers, hands, arms or other body parts if clothing or gloves get caught in moving parts;

Electrical shock or burns from contact with wires, motor or other power drive parts;

Impact injuries, including broken bones if machine tips over or workpiece falls.

Eye injuries, including being blinded by thrown workpiece or workpiece chips.

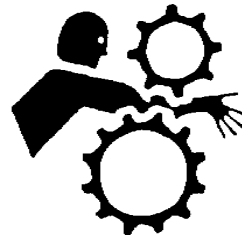
General Safety

Read and follow the safety information and instructions in the operator's manual.

Know the location and functions of all controls before using the machine.

Footswitch Safety

The footswitch of the power drive is for your safety. It lets you shut off the motor by removing your foot. If clothing should become caught in the machine, it could continue to wind up, pulling you into the machine. Because the machine has high torque, the clothing itself can bind around your arm or other body parts with enough force to crush or break bones.





Power Drive Safety

Follow all of the power drive manufacturer's safety information and operating instructions.

WARNING!

Warning: Clothing/gloves can be caught in moving parts. Fingers, hands, arms or other body parts can be crushed or broken.

- Keep fingers away from grooving rolls.
- Use footswitch.
- Do not wear loose fitting gloves.
- Keep sleeves and jacket buttoned.
- Do not reach across machine because clothing can be drawn into moving parts.
- Operate machine from switch side only.
- Do not disconnect or block footswitch.
- Keep footswitch in working order.
- Make sure switch is in the "off" position before plugging in power cord.
- Make sure you can quickly remove your foot from the footswitch.

Personal Safety

1. Wear snug-fitting clothes, safety shoes, hard hat and safety glasses. Cover up or tie up long hair. Do not wear loose clothing, gloves, unbuttoned jackets, loose sleeve cuffs, neckties, rings, watches or other jewelry.
2. Wear hearing protectors, ear plugs or muffs if you use the machine daily or in a very noisy area.
3. Operate the power drive and roll groover from the side with the power drive's "REV/OFF/FOR" switch.
4. Keep good footing and balance. Do not overreach.
5. Do not operate machine when you are tired.

Caution: Keep hands clear of the Power Drive Hand Wheel/ Chuck and Roll Groove Handle area while the tool is in operation.

Electrical Safety

Follow all of the power drive manufacturer's electrical safety information and operating instructions.

Work Area Safety

1. Keep children and visitors out of work area. If visitors must be in area, keep them far away from the machine and extension cords.
2. Keep work area clean, uncluttered and well lit.
3. Keep floors dry and free of slippery materials.
4. Clear machine and bench of all objects such as wrenches or tools before turning machine on.

Roll Groover Safety

1. Keep hands away from grooving rolls. Fingers could get caught between groove roll and drive shaft.
2. Set up Roll Groover on a flat, level surface. Be sure the machine, stand and groover are stable and will not tip over.
3. Be sure groover is properly secured to the power drive. Carefully follow set up instructions.
4. Use only 38 RPM model Power Drives to drive RGCOMBO2.
5. Do not use the RGCOMBO2 Roll Groover for any other purpose than roll grooving pipe and tubing.
6. Do not use excessive force in turning feed screw. Follow operating instructions.
7. Properly support pipe with pipe support.
8. Use recommended accessories. Use of other accessories may increase the risk of injury. Refer to the "Recommended Accessories" section in the front of this manual.



Machine Maintenance

1. Inspect groove roll and drive shaft. Replace worn rolls.
2. Lubricate with multi-purpose grease through the three grease fittings (see Figure 1).
3. Keep Ratchet Wrench and Adjusting Screw knob dry and clean. Keep free from oil and grease.
4. Follow all maintenance instructions provided with the Power Drive.

Powered Grooving Instructions

Assembling the RGCOMBO2 Roll Groover

1. Screw the two Support Rods into the sides of the main body of the Roll Groover (Figure 1). Tighten the support rods securely with a pipe wrench.
2. The included Ratchet Wrench may be inserted into the Feed Screw after set-up.

Installing the Power Drive

1. Remove carriage or other attachments from the power drive.
2. Fully open front chuck of power drive.
3. Set the RGCOMBO2 on the Power Drive with the RGCOMBO2 Support Rods resting on the Power Drive carriage rails. Steady the RGCOMBO2 with one hand.
4. With the other hand rotate the RGCOMBO2 drive shaft to align the flats with the jaws on the Power Drive chuck.
5. Tighten Power Drive chuck on the RGCOMBO2 drive shaft.

Pipe Preparation

1. Pipe ends must be cut square. Do not use cutting torch.

Note: When adjusting roll groover depth, the trial groove pipe should not have a large burr protruding inward. Use a Reed Model 2-71 Pipe Reamer for up to 2" pipe, or other suitable tool to deburr trial groove pipe. After groove depth has been set, deburring of pipe is not required.
2. Pipe out-of-roundness must not exceed the total O.D. tolerance given in groove specifications, listed in Table 1.

Note: Determine out-of-roundness by measuring maximum and minimum O.D. at 90° apart.
3. All internal or external weld beads, flash or seams must be ground flush at least 2 inches back from pipe end.

Note: Do not cut or grind flats on gasket seat area.

Pipe Length

The chart below lists the minimum length of pipe to be grooved and the maximum length to be grooved without a pipe jack.

Groovable Pipe Lengths - Inches

Nominal Pipe Size	Minimum Length	Maximum Length without pipe jack
1-1/4	8	36
1-1/2	8	36
2	8	36
2-1/2	8	36
3	8	36
3-1/2	8	36
4	8	36
4-1/2	8	32
5	8	32
6 O.D.	10	30
6	10	28

Pipe Set-Up

1. Pipe longer than the specified maximum lengths listed in the above chart must be supported with a pipe jack. The pipe jack should be located 3/4 of the pipe length from the roll groover. Long lengths may require two jacks.
2. Raise the RGCOMBO2 Groove Roll by retracting the Feed Screw. Install the pipe on the Drive Shaft and pipe jack.
3. Square the pipe and pipe jack to the roll groover making sure the pipe is flush against the Roll Groover Cover Plate.
4. Level the pipe by adjusting the pipe jack height. Pipe axis should be level with machine axis (Figure 2, page 8).
5. Square up the pipe tool.

Figure 1 - RGCOMBO2 Roll Groover
 Figura 1 - Ranuradora de rodillos RGCOMBO2
 Figure 1 - Couteau à rainurer RGCOMBO2

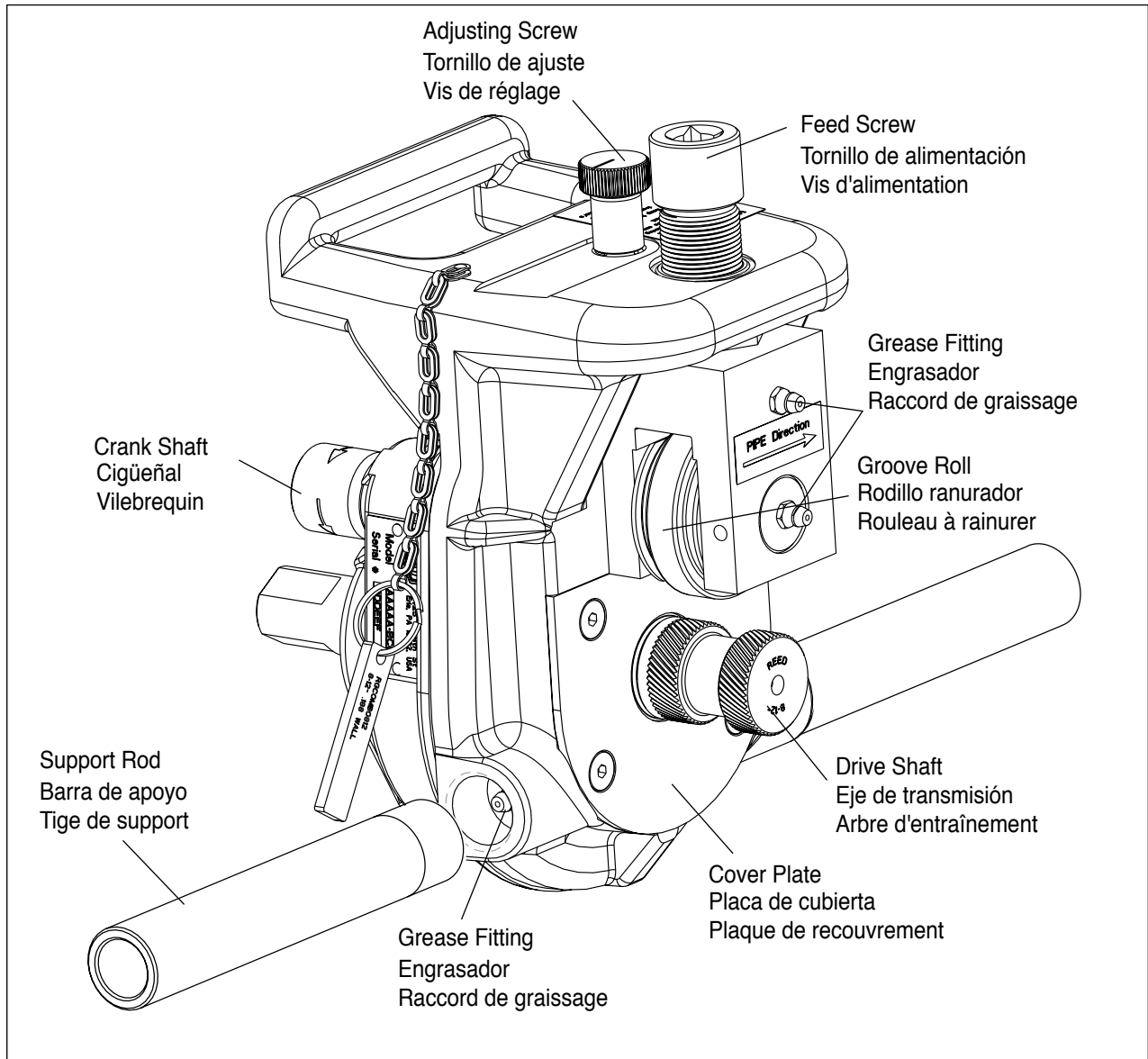




Table 1 - Standard Roll Groove Specifications
Tabla 1 - Especificaciones estándar de la ranuradora de rodillo
Tableau 1- Spécifications pour rouleau à rainurer standard

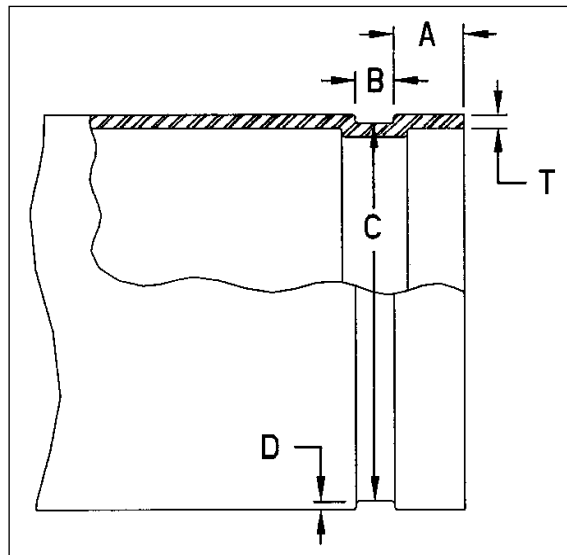
Note: All dimensions are in inches.

Nota: Todas las dimensiones están en pulgadas.

Remarque : toutes les dimensions sont en pouces.

NOM. PIPE SIZE	PIPE DIAMETER		T	A	B	C		D
	O.D.	TOL.	MIN. WALL THK.	GASKET SEAT ± .030	GROOVE WIDTH ± .030	GROOVE DIAMETER O.D. TOL.		NORMAL GROOVE DEPTH
TAMAÑO NOM. DE TUBO	DIÁMETRO DE TUBO		MIN. ESP. DE PARED	ASIENTO DE JUNTA	ANCHURA DE RANURA	DIÁMETRO DE RANURA		PROF. NOMAL DE RANURA
DIM. DU TUYAU	DIAMÈTRE DU TUYAU		MIN. DES PAROIS	MONTAGE DU JOINT	LARGEUR DE LA RAINURE	DIAMÈTRE DE LA RAINURE		PROFONDEUR D'UNE RAINURE NORMALE
	D.E.	TOL.	THK.	± .030	± .030	D.E.	TOL.	
1-1/4	1.660	+016 -016	.065	.625	.281	1.535	+000 -015	.063
1-1/2	1.900	+019 -019	.065	.625	.281	1.775	+000 -015	.063
2	2.375	+024 -024	.065	.625	.344	2.250	+000 -015	.063
2-1/2	2.875	+029 -029	.083	.625	.344	2.720	+000 -018	.078
3 OD	3.00	+030 -030	.083	.625	.344	2.845	+000 -018	.078
3	3.50	+035 -031	.083	.625	.344	3.344	+000 -018	.078
3-1/2	4.00	+040 -031	.083	.625	.344	3.834	+000 -020	.083
4	4.50	+045 -031	.083	.625	.344	4.334	+000 -020	.083
4-1/2	5.00	+050 -031	.095	.625	.344	4.834	+000 -020	.083
5	5.563	+056 -031	.109	.625	.344	5.395	+000 -022	.084
6 OD	6.00	+056 -031	.109	.625	.344	5.830	+000 -022	.085
6	6.625	+063 -031	.109	.625	.344	6.455	+000 -022	.085

Table 2 - Feed Rates
Tabla 2 - Tasas de alimentación
Tableau 2 - Alimentation



Material Material Matériau	Wall Thickness inches/(mm) Gire el tornillo de alimentación Épaisseur de la paroi pouces/(mm)	Turns of Feed Screw to Advance the Feed Grosor de la pared para avanzar la alimentación Tours de la vis d'alimentation pour faire avancer l'alimentation
Steel and Stainless Steel Acero y Acero inoxidable Acier et acier inoxydable	.135 to .216 (3.43 to 5.49)	1/4 turn 1/4 turn 1/4 de tour
	.120 to .134 (3.05 to 3.40)	1/3 turn 1/3 turn 1/3 de tour
	.065 to .119 (1.65 to 3.02)	1/2 turn 1/2 turn 1/2 de tour
	.119 to .280 (3.02 to 7.1)	1/5 turn 1/5 turn 1/5 de tour
	.135 to .216 (3.43 to 5.49)	1/3 turn 1/3 turn 1/3 de tour
Aluminum and Copper Aluminio y Cobre Aluminium et cuivre	.120 to .134 (3.05 to 3.40)	1/2 turn 1/2 turn 1/2 de tour
	.065 to .119 (1.65 to 3.02)	2/3 turn 2/3 turn 2/3 de tour



Adjusting Groove Depth

Note: To insure the proper groove diameter, a trial groove should be performed.

Note: The Adjusting Screw must be set for each diameter of pipe.

1. Loosen Adjusting Screw (counterclockwise) enough to permit advancing of the Groove Roll down to the pipe.
2. Advance Feed Screw (clockwise) until Groove Roll is snug against top of pipe. Be sure Groove Roll contacts pipe and Adjusting Screw head does not bottom out.

Note: Trial groove pipe should be deburred for best results. Burr on inside of pipe will raise pipe away from drive shaft, causing inaccurate set-up adjustment. After proper groove depth has been verified by trial groove, deburring of following pipes is not required. See Step 1 of “**Pipe Preparation**”.

3. Using the Depth Gauge labeled with the pipe size being grooved, place Depth Gauge under head of Adjusting Screw using the flat gauge slot.
4. Advance Adjusting Screw downward until underside of head touches Depth Gauge.
5. Remove Depth Gauge.

Note: It may be necessary to readjust Adjusting Screw after trial groove is made. Each 1/4 turn of Adjusting Screw will produce a .02” change in diameter of rolled groove. Tightening Adjusting Screw will increase groove diameter. Loosening Adjusting Screw will decrease groove diameter.

Forming the Groove

1. Place the power drive switch in the reverse (REV) position for counterclockwise rotation of the drive shaft and pipe.
2. Step on power drive footswitch and apply light pressure on pipe by advancing Feed Screw with the Straight Ratchet Wrench.

Warning: If pipe tends to “walk off” the tool.

- a. Verify the pipe sits level, if not level then correct.
- b. Verify the pipe rotates in the direction shown by the sticker on the tool.
- c. Offset the far end of the pipe toward the operator's side (the side with the power drive REV/OFF/FOR Switch). A pipe offset of 1 inch per 10 ft. should work. (See Figure 2).

Caution: Keep hands clear of the Power Drive Hand Wheel/Chuck and Roll Groove Handle area while the tool is in operation.

3. With pipe tracking properly and end of pipe against cover plate, step on footswitch and begin advancing Feed Screw with Ratchet Wrench, allowing one complete rotation of pipe between strokes of Ratchet Wrench.

Caution: Do not over-feed. Allow one complete rotation of pipe between advances. See Table 2 for details.

4. Continue feeding until Adjusting Screw makes contact with the top surface of the Roll Groover. Allow pipe to make two complete rotations in bottomed position to insure uniform groove depth.

Warning: Do not tighten Feed Screw after Adjusting Screw bottoms out. Damage to the Adjusting Screw may result.

5. Release footswitch to stop machine, and begin retracting Feed Screw by turning Ratchet Wrench counterclockwise. Retract Feed Screw enough to remove pipe from machine.
6. Measure groove diameter at two places 90° apart. Both measurements should be within the listed tolerance of the dimension shown in Table 1.
7. To increase groove diameter tighten Adjusting Screw. To decrease groove diameter loosen Adjusting Screw. **Each 1/4 turn of Adjusting Screw will change groove diameter by approximately .02”.**

Note: Once groove depth has been set, following grooves will be same depth.

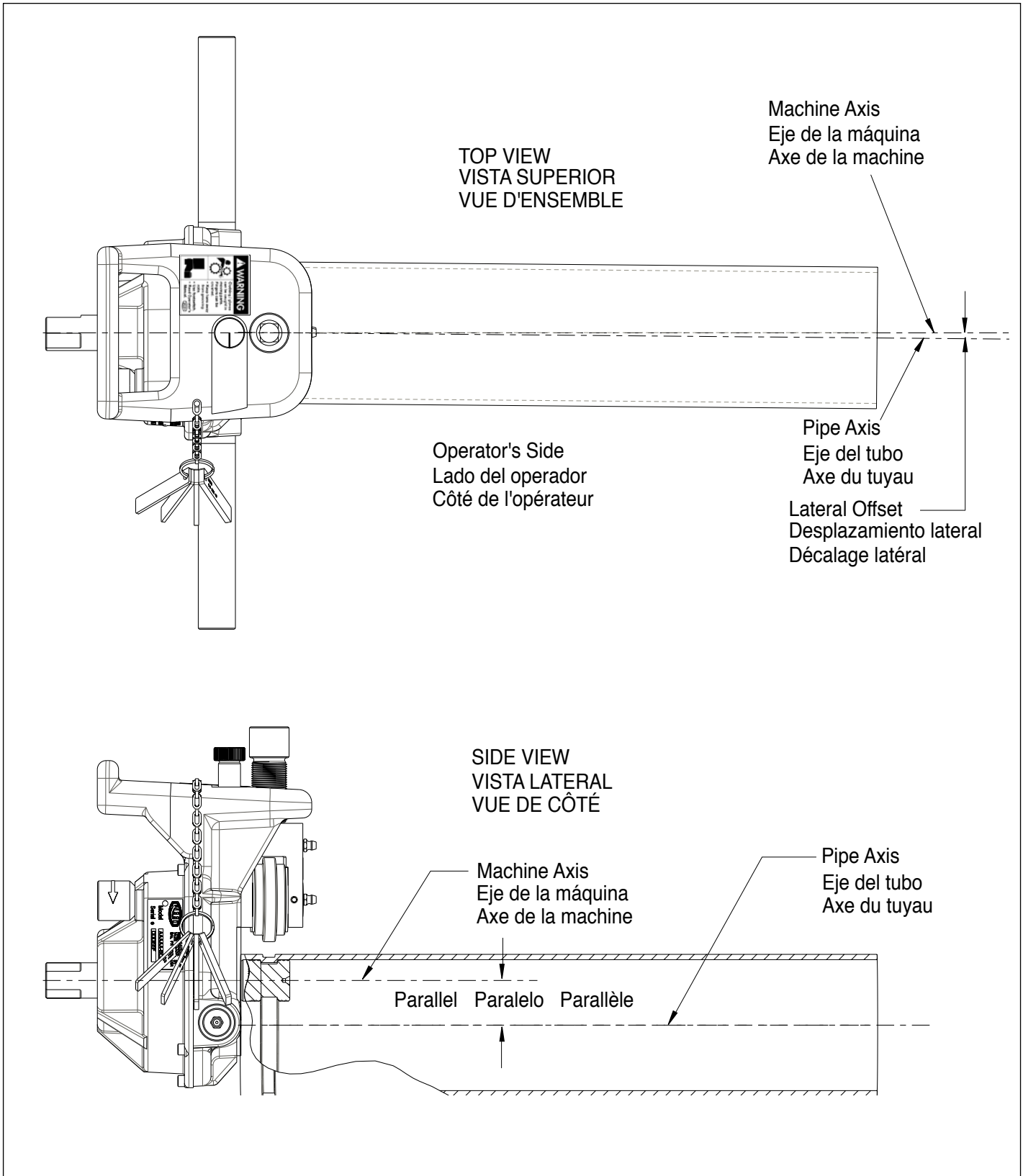
8. Periodically check groove depth with a mechanical coupling. **The coupling should fully seat in the groove without binding or excessive play.**

Roll Grooving Tips

1. If pipe tends to “walk off” drive shaft, increase lateral offset of pipe (see Figure 2 - Pipe Set-Up).
2. If Cover Plate shaves end of pipe, decrease lateral offset of pipe.
3. If pipe end flare is excessive, lower pipe end to level with roll groover.
4. If pipe wobbles and/or “walks off” Drive Shaft, raise pipe end to level with roll groover.
5. Short lengths of pipe (under three feet) may require slight hand pressure to maintain the lateral offset.



Figure 2 - Pipe Set-Up
Figure 2 - Installation du tuyau
Figure 2 - Installation du tuyau





Manual Grooving Instructions

1. Situation:

- Pipe secured to vise: Securely mount pipe vise (chain type) on a secure stand or workbench. Allow the pipe to overhang the vise 5 to 12" so the tool will rotate freely and not contact the vise. (Figure 3)
- Pipe installed (grooving in place): Verify the pipe hangers can accommodate the weight of the RGCOMBO2 plus the manual effort required to operate the tool.

2. Mounting the Tool

- Retract the upper roller by turning the Feed Screw counterclockwise.
- Insert the Drive Shaft into the pipe with the Groove Roll on the outside.
- Draw the rolls closer together by turning the Feed Screw clockwise until the Driveshaft and Groove Roll contact the pipe lightly.
- Notice the "Pipe Direction" arrow etched on the tool slide block. (Figure 4)

3. Set Groove Depth

Note: To insure the proper groove diameter, a trial groove should be performed.

Note: The Adjusting Screw must be set for each diameter of pipe.

- Loosen Adjusting Screw (counterclockwise) enough to permit advancing of Groove Roll down to pipe.
- Advance Feed Screw (clockwise) until Groove Roll is snug against top of pipe. Be sure Groove Roll contacts pipe and Adjusting Screw head does not bottom out.

Note: Trial groove pipe should be deburred for best results. Burr on inside of pipe will raise pipe away from drive shaft, causing inaccurate set-up adjustment. After proper groove depth has been verified by trial groove, deburring of following pipes is not required. See Step 1 of "Pipe Preparation".

- Using the Depth Gauge labeled with the pipe size being grooved, place Depth Gauge under head of Adjusting Screw using the flat gauge slot.
- Advance Adjusting Screw downward until underside of head touches Depth Gauge.
- Remove** Depth Gauge.

Note: It may be necessary to readjust Adjusting Screw after trial groove is made. Each 1/4 turn of Adjusting Screw will produce a .02" change in diameter of rolled groove. Tightening Adjusting Screw will increase groove diameter. Loosening Adjusting Screw will decrease groove diameter.

4. Forming the Groove

- Advance the Feed Screw the amount specified in Table 1.
 - Using the Socket Extension and Bent Handle Ratchet, turn the Crankshaft so the pipe feeds into the tool as indicated by the arrow.
 - Make one complete revolution of the tool around the pipe before advancing the Feed Screw again.
 - Continue grooving until you reach the desired depth. (The Adjusting Screw can limit Feed Screw advance see the section on Adjusting Groove Depth for details).
- 5. Dismount the tool,** retract the Feed Screw fully, lift and remove the tool from the pipe.



Figure 3. Pipe Set-up



Figure 4. Pipe Direction



Descripción y Especificaciones

Descripción

La ranuradora RGCOMBO2 de Reed está diseñada para formar ranuras laminadas estándar en tubos de acero, acero inoxidable y aluminio, de 1 1/4" a 6", tanto en la tubería de programa 10 como en la tubería de programa 40. La ranura está formada por el rodillo de ranura que es introducido en la pared del tubo. El tubo es sostenido en el interior por un rodillo impulsor, el cual se afloja para permitir la deformación de la pared del tubo. Las ranuras formadas cumplen con las especificaciones requeridas para los sistemas de acoplamiento mecánico. El único ajuste requerido es la profundidad de la ranura.

Diseñado para portabilidad, la ranuradora de rodillo RGCOMBO2 es una solución económica para las necesidades de ranurado en el sitio de trabajo en instalaciones de sistemas de tuberías mecánicas. Aunque el diseño de RGCOMBO2 tiene muchas mejoras con respecto a modelos similares de competidores, **no está diseñado para el trabajo de producción en la fábrica.**

La ranuradora de rodillo RGCOMBO2 está diseñada para su uso con la unidad de potencia Reed N° 05301 5301PD.

Especificaciones

Capacidad 1 1/4" - 6" (32 - 152 mm) Programa 10
 1 1/4" - 6" (32 - 152 mm) Programa 40
Ajuste de Profundidad Tornillo de Ajuste y Medidores de Profundidad incluidos
Actuación Tornillo de alimentación (incluye llave de trinquete)
REED 5301 Montaje del dispositivo de fuerza Toma de fuerza RIDGID® 300 (Sólo modelo de 38 RPM)
Peso..... 31 libras

Equipamiento estándar

Rodillo ranurador..... 1 1/4" - 6"
Rodillo de impulsión (eje de transmisión)..... 1 1/4" - 6"
Manija de alimentaciónLlave de trinquete incluida
Medios de soporteIncluye barras de soporte

Accesorios recomendados

- Elevador de tubos JHV con cabezal de transferencia con esferas JTA o elevador de cabezal con rodillo JH2R.
- Escariador de tubos Reed 2-71
- Dispositivo de toma de fuerza 5301PD

Importante - Antes de usar

Antes de usar la ranuradora de rodillo RGCOMBO2, lea y siga todas las instrucciones e informaciones de seguridad del manual de instrucciones.

Información de seguridad

¡ATENCIÓN!

Si no se siguen todas las instrucciones de seguridad y funcionamiento pueden producirse lesiones graves. Esas lesiones podrían incluir:

Pérdida de dedos, manos, brazos u otras partes del cuerpo si la ropa o los guantes quedan atrapados en las partes móviles;

Descarga eléctrica o quemaduras por contacto con cables, motores u otras partes del dispositivo de toma de fuerza;

Lesiones por impacto, incluyendo huesos rotos si se voltea la máquina o cae la pieza de trabajo.

Lesiones oculares, incluyendo el cegamiento por la expulsión de la pieza o las virutas de la pieza de trabajo.

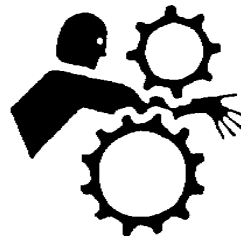
Seguridad general

Lea y siga las instrucciones de seguridad del manual de instrucciones.

Conozca la ubicación y las funciones de todos los controles antes de utilizar la máquina.

Seguridad del pedal

El pedal de toma de fuerza es para su seguridad. Le permite apagar el motor quitando el pie. Si la ropa quedara atrapada en la máquina,



podría continuar enrollando, tirándolo hacia la máquina. Debido a que la máquina tiene un par de torsión elevado, la ropa en sí puede enlazarse alrededor de su brazo u otras partes del cuerpo con suficiente fuerza para aplastar o romper los huesos.



Seguridad de la toma de fuerza

Siga toda la información de seguridad del fabricante de la unidad de toma de fuerza y las instrucciones de funcionamiento.

¡ATENCIÓN!

Atención: Ropa o guantes pueden quedar atrapados en las partes móviles. Los dedos, manos, brazos u otras partes del cuerpo pueden ser aplastados o rotos.

- Mantenga los dedos alejados de los rodillos ranuradores.
- Utilice el pedal.
- No use guantes sueltos.
- Mantenga las mangas y la chaqueta abotonadas.
- No cruce la máquina porque la ropa puede ser arrastrada a las partes móviles.
- Opere la máquina sólo desde el lado del interruptor.
- No desconecte ni bloquee el pedal.
- Mantenga el pedal en funcionamiento.
- Asegúrese de que el interruptor se encuentre en la posición "Off" antes de desenchufar el cable de alimentación.
- Asegúrese de que puede retirar rápidamente el pie del pedal.

Seguridad personal

1. Use ropa ajustada, zapatos de seguridad, casco y gafas de seguridad. Cubra o ate el cabello largo. No use ropa suelta, guantes, chaquetas desabrochadas, puños de manga sueltos, corbatas, anillos, relojes u otras joyas.
2. Use protectores auditivos, tapones para los oídos u orejeras si usa la máquina diariamente o en un área muy ruidosa.
3. Utilice el dispositivo de toma de fuerza y la ranuradora de rodillos lateralmente con el interruptor del dispositivo "REV / OFF / FOR".
4. Mantenga un buen punto de apoyo y equilibrio. No se extienda demasiado.
5. No utilice la máquina cuando esté cansado.

Advertencia: Mantenga las manos alejadas de la rueda de manivela/tirador del dispositivo de toma de fuerza y del área del mango de la ranuradora mientras la herramienta está en funcionamiento.

Seguridad eléctrica

Siga toda la información de seguridad eléctrica del fabricante de la unidad de toma de fuerza y las instrucciones de funcionamiento.

Seguridad en el área de trabajo

1. Mantenga a los niños y visitantes fuera del área de trabajo. Si los visitantes deben estar en el área, manténgalos alejados de la máquina y los cables de extensión.
2. Mantenga el área de trabajo limpia, despejada y bien iluminada.
3. Mantenga los pisos secos y libres de materiales resbalosos.
4. Antes de encenderla, libere la máquina y el banco de todos los objetos como llaves o herramientas.

Seguridad de la ranuradora de rodillo

1. Mantenga las manos alejadas de los rodillos ranuradores. Los dedos podían quedar atrapados entre el rollo ranurador y el eje de transmisión.
2. Coloque la ranuradora de rodillo sobre una superficie plana y nivelada. Asegúrese de que la máquina, el soporte y la ranuradora estén estables y que no se vuelquen.
3. Asegúrese de que la ranuradora esté bien asegurada al dispositivo de toma de fuerza. Siga cuidadosamente las instrucciones de instalación.
4. Utilice sólo dispositivos de toma de fuerza modelo de 38 RPM para conducir la RGCOMBO2.
5. No utilice la ranuradora de rodillo RGCOMBO2 para ningún otro propósito que no sea el ranurado de tubos y tuberías.
6. No use fuerza excesiva al girar el tornillo de alimentación. Siga las Instrucciones de uso.
7. Sujete adecuadamente el tubo con el soporte del tubo.
8. Utilice los accesorios recomendados. El uso de otros accesorios puede aumentar el riesgo de lesiones. Consulte la sección "Accesorios recomendados" al principio de este manual.



Mantenimiento de la máquina

1. Inspeccione el rodillo ranurador y el eje de transmisión. Reemplace los rodillos desgastados.
2. Lubrique con grasa multiusos a través de los tres engrasadores (ver Figura 1).
3. Mantenga la llave de trinquete y la perilla del tornillo de ajuste seca y limpia. Mantener libre de aceite y grasa.
4. Siga todas las instrucciones de mantenimiento suministradas con el dispositivo de toma de fuerza.

Instrucciones de ranuradora eléctrica

Montaje de la ranuradora de rodillo RGCOMBO2

1. Atornille las dos barras de soporte en los lados del cuerpo principal de la ranuradora de rodillos (Figura 1). Apriete firmemente las varillas de soporte con una llave de tubo.
2. Se puede insertar la llave de trinquete incluida en el tornillo de alimentación después del montaje.

Instalación del dispositivo de toma de fuerza

1. Retire el carro u otros accesorios del dispositivo de toma de fuerza.
2. Abra completamente el mandril delantero del dispositivo de toma de fuerza.
3. Ajuste el RGCOMBO2 al dispositivo de toma de fuerza con las varillas de soporte RGCOMBO2 que descansan sobre los rieles de transporte del dispositivo de toma de fuerza. Sostenga el RGCOMBO2 con una mano.
4. Con la otra mano, gire el eje de transmisión RGCOMBO2 para alinear las aletas con las mandíbulas del mandril del dispositivo de toma de fuerza.
5. Apriete el mandril del dispositivo de toma de fuerza en el eje de transmisión RGCOMBO2.

Preparación de tubos

1. Los extremos de las tuberías deben ser cortados cuadrados. No utilice antorcha de corte.

Nota: Al ajustar la profundidad de la ranuradora de rodillos, la ranura de prueba del tubo no debe tener una rebaba grande sobresaliente hacia dentro. Utilice un Escariador de tubos 2-71 Reed para tubos de hasta 2" u otra herramienta adecuada para desbarbar la ranura de prueba. Después de ajustar la profundidad de la ranura, no es necesario desbarbar la tubería.
2. La ovalización de la tubería no debe exceder el total de tolerancia D.E. marcado en las especificaciones de ranura, que se enumeran en la Tabla 1.

Nota: Determine la ovalización midiendo el D.E. máximo y mínimo a 90° de distancia.
3. Todos los cordones de soldadura internos o externos, el flash o los empalmes deben estar al ras de tierra por lo menos a 2 pulgadas hacia atrás desde el extremo del tubo.

Nota: No corte ni mueva las aletas en el área del asiento de la junta.

Longitud del tubo

La siguiente tabla muestra la longitud mínima de la tubería a ranurar y la longitud máxima a ranurar sin un gato alzatubos.

Longitudes de tuberías ranurables- Pulgadas

Tamaño nominal del tubo	Longitud mínima	Longitud máxima sin gato alzatubos
1-1/4	8	36
1-1/2	8	36
2	8	36
2-1/2	8	36
3	8	36
3-1/2	8	36
4	8	36
4-1/2	8	32
5	8	32
6 D.E.	10	30
6	10	28

Montaje de tubos

1. El tubo que sobrepase las longitudes máximas especificadas en la tabla anterior debe ser soportado con un gato alzatubos. El gato alzatubos debe estar situado a 3/4 de la longitud del tubo desde la ranuradora de rodillo. Longitudes largas pueden requerir dos gatos.
2. Levante la ranuradora de rodillo RGCOMBO2 retirando el tornillo de alimentación. Instale el tubo en el eje de transmisión y en el gato alzatubos.
3. Coloque el tubo y el gato alzatubos en la ranuradora de rodillos, asegurándose de que el tubo esté alineado con la placa de cubierta del rodillo.
4. Nivele el tubo ajustando la altura del gato alzatubos. El eje del tubo debe estar nivelado con el eje de la máquina (Figura 2, página 8).
5. Cuadre el atacador.



Ajuste de la profundidad de la ranura

Nota: Para asegurar el diámetro de ranura adecuado, debe realizarse una ranura de prueba.

Nota: El tornillo de ajuste debe ajustarse para cada diámetro del tubo.

1. Afloje el tornillo de ajuste (en sentido contra horario) para permitir el avance del rodillo ranurador hasta el tubo.
2. Ajuste el tornillo de alimentación (en sentido horario) hasta que el rodillo ranurador esté ajustado contra la parte superior del tubo. Asegúrese de que el rodillo ranurador entre en contacto con el tubo y que el cabezal del tornillo de ajuste no toque fondo.
Nota: La ranura de prueba del tubo debe ser desbarbada para obtener mejores resultados. La rebaba dentro de la tubería elevará la tubería lejos del eje de transmisión, causando un ajuste incorrecto de la instalación. Después de que la profundidad correcta de la ranura haya sido verificada por la ranura de prueba, no se requiere el desbarbado de las siguientes tuberías. Vea el Paso 1 de "Preparación del Tubo".
3. Utilizando el medidor de profundidad con el tamaño de la tubería ranurado, coloque el medidor de profundidad debajo de la cabeza del tornillo de ajuste utilizando la ranura de calibración.
4. Ajuste el tornillo hacia abajo hasta que la parte inferior de la cabeza toque el medidor de profundidad.
5. Quite el medidor de profundidad.
Nota: Puede ser necesario reajustar el tornillo de ajuste después de realizar la ranura de prueba. Cada 1/4 de vuelta del tornillo de ajuste producirá un cambio de 0.02 "en el diámetro de la ranura. Apretar el tornillo de ajuste aumentará el diámetro de la ranura. Aflojar el tornillo de ajuste disminuirá el diámetro de la ranura.

Formar la ranura

1. Coloque el interruptor del dispositivo de toma de fuerza en posición de marcha atrás (REV) para girar en sentido contrario a las agujas del reloj del eje de transmisión y la tubería.
2. Pise el pedal de impulsión de energía y aplique una ligera presión en el tubo ajustando el tornillo de alimentación con la llave de trinquete recta.

Atención: Si la tubería tiende a "alejarse" de la herramienta.

- a. Verifique que el tubo se encuentre nivelado, si no lo está, entonces corríjalo.
- b. Verifique que el tubo gire en la dirección indicada en el adhesivo de la herramienta.
- c. Desplace el extremo opuesto del tubo hacia el lado del operador (el lado con el interruptor REV / OFF / FOR de la unidad de potencia). Un desplazamiento de tubo de 1 pulgada por 10 pies debería funcionar. (Vea la figura 2).

Advertencia: Mantenga las manos alejadas de la rueda de manivela/tirador del dispositivo de toma de fuerza y del área del mango de la ranuradora mientras la herramienta está en funcionamiento.

3. Con la correcta localización del tubo y su extremo contra la placa de cubierta, pise el pedal y comience a ajustar el tornillo de alimentación con la llave de trinquete, permitiendo una rotación completa del tubo entre los golpes de la llave de trinquete.

Advertencia: No sobrealimentar. Permita una rotación completa del tubo entre los avances. Vea la Tabla 2 para más detalles.

4. Continúe alimentando hasta que el tornillo de ajuste haga contacto con la superficie superior de la ranuradora de rodillos. Deje que la tubería haga dos rotaciones completas en la posición de fondo para asegurar una profundidad uniforme de ranura.

Atención: No apriete el tornillo de alimentación después de que el tornillo de ajuste toque fondo. Puede dañarse el tornillo de ajuste.

5. Suelte el pedal para detener la máquina y comience a retraer el tornillo de alimentación girando la llave de trinquete en sentido antihorario. Retire el tornillo de alimentación lo suficiente para quitar el tubo de la máquina.
6. Medir el diámetro de la ranura en dos lugares separados a 90°. Ambas mediciones deben estar dentro de la tolerancia de dimensión indicada en la Tabla 1.
7. Para aumentar el diámetro de la ranura, apriete el tornillo de ajuste. Para disminuir el diámetro de la ranura, afloje el tornillo de ajuste. Cada 1/4 de vuelta del tornillo de ajuste cambiará el diámetro de la ranura aproximadamente 0.02 ".
Nota: Una vez ajustada la profundidad de la ranura, las siguientes ranuras tendrán la misma profundidad.
8. Compruebe periódicamente la profundidad de la ranura con un acoplamiento mecánico. El acoplamiento debe asentarse completamente en la ranura sin traba o juego excesivo.

Consejos para la ranuradora de rodillo

1. Si la tubería tiende a "alejarse" del eje de transmisión, aumente el desplazamiento lateral de la tubería (consulte la Figura 2 - Montaje de tubería).
2. Si la placa de cubierta afeita el extremo de la tubería, disminuya el desplazamiento lateral de la tubería.
3. Si el ancho del extremo del tubo es excesivo, baje el extremo del tubo hasta el nivel del rodillo.
4. Si el tubo oscila y / o "se aleja" del eje de transmisión, eleve el extremo del tubo hasta el nivel de la ranuradora de rodillo.
5. Las longitudes cortas de tubo (menos de tres pies) pueden requerir una ligera presión manual para mantener el desplazamiento lateral.



Instrucciones de ranurado manual

1 Situación:

- Tubo asegurado al tornillo: Monte firmemente el tornillo de tubo (tipo cadena) en un soporte o banco de trabajo eguro. Deje que el tubo sobrepase el tornillo de 5 a 12 "para que la herramienta gire libremente y no entre en contacto con el tornillo de banco. (Figura 3)
- Tubería instalada (ranurando en el lugar): Verifique que los soportes de tubería puedan soportar el peso de l a RGCOMBO2 más el esfuerzo manual requerido para operar la herramienta.

2 Montaje de la herramienta

- Retraiga el rodillo superior girando el tornillo de alimentación en sentido antihorario.
- Inserte el dispositivo de toma de fuerza en el tubo con el rodillo ranurador en el exterior.
- Acerque los rodillos girando el tornillo de alimentación en el sentido de las agujas del reloj hasta que el dispositivo de toma de fuerza y el rodillo ranurador toquen ligeramente el tubo.
- Observe la flecha "PIPE DIRECTION" de la dirección del tubo que se graba en el bloque deslizante de la ranuradora. (Figura 4)

3. Establecer la profundidad de la ranura

Nota: Para asegurar el diámetro de ranura adecuado, debe realizarse una ranura de prueba.

Nota: El tornillo de ajuste debe ajustarse para cada diámetro del tubo.

- Afloje el tornillo de ajuste (antihorario) para permitir el avance del rodillo ranurador hasta el tubo.
- Ajuste el tornillo de alimentación (en sentido horario) hasta que el rodillo ranurador esté ajustado contra la parte superior del tubo. Asegúrese de que el rodillo ranurador entre en contacto con el tubo y que el cabezal del tornillo de ajuste no toque fondo.

Nota: La ranura de prueba del tubo debe ser desbarbada para obtener mejores resultados. La rebaba dentro de la tubería elevará la tubería lejos del eje de transmisión, causando un ajuste incorrecto de la instalación. Después de que la profundidad correcta de la ranura haya sido verificada por la ranura de prueba, no se requiere el desbarbado de las siguientes tuberías. Vea el Paso 1 de "Preparación del Tubo".

- Utilizando el medidor de profundidad con el tamaño de la tubería ranurada, coloque el indicador de profundidad debajo de la cabeza del tornillo de ajuste utilizando la ranura de prueba.
- Ajuste el tornillo hacia abajo hasta que la parte inferior de la cabeza toque el medidor de profundidad.

- Quite el medidor de profundidad.

Nota: Puede ser necesario reajustar el tornillo de ajuste después de realizar la ranura de prueba. Cada 1/4 de vuelta del tornillo de ajuste producirá un cambio de 0.02 "en el diámetro de la ranura. Apretar el tornillo de ajuste aumentará el diámetro de la ranura. Aflojar el tornillo de ajuste disminuirá el diámetro de la ranura.

4. Formar la ranura

- Ajuste el tornillo de alimentación la cantidad especificada en la Tabla 1.
 - Usando un alargador y trinquete de mango curvo, gire el cigüeñal para que el tubo se inserte en la herramienta como se indica siguiendo la flecha.
 - Haga una vuelta completa de la herramienta alrededor de la tubería antes de ajustar el tornillo de alimentación de nuevo.
 - Continúe haciendo ranuras hasta alcanzar la profundidad deseada. (El tornillo de ajuste puede limitar el avance del tornillo de alimentación, para obtener más detalles consulte la sección Ajuste de la profundidad de la ranura).
5. **Desmontar la herramienta**, retraer el tornillo de alimentación completamente, levantar y quitar la herramienta del tubo.



Figura 3. Montaje de tubo



Figura 4. Dirección del tubo



Description et spécifications

Description

Le couteau à rainurer RGCOMBO2 de Reed est conçu pour former des rainures laminées standard en acier, en acier inoxydable et en aluminium, de 32 à 152 mm (1 1/4 à 6 po), dans les tubes de programme 10 et de programme 40. La rainure est formée par le rouleau à rainurer qui est introduit dans la paroi de tuyau. Le tuyau est soutenu à l'intérieur par un rouleau d'entraînement, qui est relié pour permettre la déformation de la paroi du tuyau. Les rainures formées sont conformes aux spécifications requises pour les systèmes de couplage mécanique. Le seul réglage requis est la profondeur de la rainure.

Conçu pour la portabilité, le couteau à rainurer RGCOMBO2 est une solution économique aux exigences de rainurage des chantiers dans les installations de systèmes de tuyauterie mécanique. Bien que la conception du RGCOMBO2 présente de nombreuses améliorations par rapport aux modèles concurrents similaires, **elle n'est pas destinée au travail dans l'usine de production.**

Le couteau à rainurer RGCOMBO2 est conçu pour être utilisé avec le bloc d'entraînement no 05301 5301PD de Reed.

Spécifications

Capacité	Programme 10, 32 - 152 mm (1 1/4 po - 6 po) Programme 40, 32 - 152 mm (1 1/4 po - 6 po)
Réglage de la profondeur	Vis de réglage et jauges de profondeur incluses
Fonctionnement.....	Vis d'alimentation (clé à cliquet incluse)
Montage du bloc d'entraînement REED 5301	Bloc d'entraînement RIDGIDMD 300 (modèle à 38 tr/min uniquement)
Poids.....	14 kg (31 lb)

Équipement standard

Rouleau à rainurer	1 1/4" - 6"
Rouleau d'entraînement (arbre d'entraînement)	1 1/4" - 6"
Poignée d'alimentation	Clé à cliquet incluse
Moyens de support.....	Tiges de soutien incluses

Accessoires recommandés

- Lève-tubes JHV de Reed avec tête de transfert de balle JTA ou tête de rouleau JH2R
- Fraise à tuyau 2-71 de Reed
- Bloc d'entraînement 5301PD de Reed

Important - Avant l'utilisation

Avant d'utiliser le couteau à rainurer RGCOMBO2, veuillez lire et suivre toutes les consignes de sécurité ainsi que les instructions du manuel d'utilisation.

Consignes de sécurité

AVERTISSEMENT!

Des blessures graves peuvent survenir si toutes les consignes de sécurité et les instructions d'utilisation ne sont pas respectées. Ces blessures pourraient inclure :

la perte de doigts, des mains, des bras ou autres parties du corps si des vêtements ou des gants se retrouvent coincés dans des pièces mobiles;

des décharges électriques ou des brûlures au contact avec les fils, le moteur ou d'autres pièces de commande mécanique;

des blessures par impact, y compris des os brisés si la machine culbute ou la pièce tombe;

des blessures aux yeux, y compris l'aveuglement par une pièce ou des copeaux projetés.

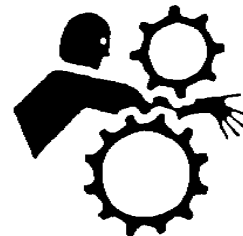
Sécurité générale

Lire et suivre les consignes de sécurité ainsi que les instructions du manuel d'utilisation.

Connaître l'emplacement et les fonctions de toutes les commandes avant d'utiliser la machine.

Sécurité pour le commutateur au pied

Le commutateur au pied du bloc d'entraînement sert à votre sécurité. Il vous permet de couper le moteur lorsque vous retirez votre pied. Si des vêtements devaient se coincer dans la machine, ils pourraient continuer à s'enrouler, vous attirant ainsi dans la machine. Parce que la machine a un couple élevé, les vêtements eux-mêmes peuvent s'enrouler autour de votre bras ou d'autres parties du corps avec assez de force pour écraser ou casser les os.





Sécurité pour le bloc d'entraînement

Suivre toutes les consignes de sécurité et d'utilisation du fabricant du bloc d'entraînement.

AVERTISSEMENT!

Avertissement : les vêtements et les gants peuvent se coincer dans les pièces mobiles.

Les doigts, les mains, les bras ou les autres parties du corps peuvent être écrasés ou cassés.

- Éloignez les doigts des rouleaux de rainurage.
- Utilisez le commutateur au pied (pédale).
- Ne portez pas de gants trop grands.
- Gardez vos manches et votre manteau boutonnés.
- Ne vous penchez pas au-dessus de la machine parce que les vêtements peuvent rester coincés dans les pièces mobiles.
- Faites fonctionner la machine à l'aide du commutateur latéral uniquement.
- Ne pas débrancher ni bloquer le commutateur au pied.
- Gardez le commutateur au pied en bon état de marche.
- Assurez-vous que le commutateur est en position « arrêt » avant de brancher le cordon d'alimentation.
- Assurez-vous de pouvoir retirer rapidement votre pied de la pédale.

Sécurité personnelle

1. Portez des vêtements ajustés, des chaussures de sécurité, un casque et des lunettes de sécurité. Couvrez ou attachez les cheveux longs. Ne portez pas de vêtements amples, de gants, de vestes déboutonnées, de manchettes lâches, de cravates, de bagues, de montres ou d'autres bijoux.
2. Portez des protections auditives, des bouchons d'oreille ou des coquilles si vous utilisez la machine tous les jours ou dans un endroit très bruyant.
3. Faites fonctionner le bloc d'entraînement et le couteau à rainurer latéralement avec le commutateur « REV / OFF / FOR » du bloc d'entraînement.
4. Gardez un bon équilibre. Ne vous étirez pas au-dessus de la machine.
5. N'utilisez pas la machine lorsque vous êtes fatigué.

Mise en garde : tenir les mains à l'écart de la zone de la manette du bloc d'entraînement/de la poignée du mandrin et du rouleau à rainurer lorsque l'outil est en marche.

Sécurité électrique

Suivre toutes les consignes de sécurité électrique et d'utilisation du fabricant du bloc d'entraînement.

Sécurité de la zone de travail

1. Gardez les enfants et les visiteurs hors de la zone de travail. Si les visiteurs doivent se trouver dans la zone, les éloigner de la machine et des rallonges.
2. Gardez la zone de travail propre, dégagée et bien éclairée.
3. Gardez les planchers secs et exempts de matériaux glissants.
4. Nettoyez la machine et le banc de tous les objets tels que des clés ou des outils avant de mettre la machine en marche.

Sécurité du couteau à rainurer

1. Éloignez les mains des rouleaux de rainurage. Les doigts pourraient se coincer entre le rouleau de rainurage et l'arbre d'entraînement.
2. Placez le couteau à rainurer sur une surface plane et de niveau. Assurez-vous que la machine, le support et le couteau sont stables et ne basculent pas.
3. Assurez-vous que le couteau soit correctement fixé au bloc d'entraînement. Suivez attentivement les instructions de montage.
4. N'utilisez que des blocs d'entraînement de 38 tr/min pour entraîner le RGCOMBO2.
5. N'utilisez pas le couteau à rainurer RGCOMBO2 à d'autres fins que pour rainurer des tuyaux.
6. N'utilisez pas de force excessive lors de la rotation de la vis d'alimentation. Suivez les instructions de fonctionnement.
7. Soutenez le tuyau de manière appropriée avec le support de tuyau.
8. Utilisez les accessoires recommandés. L'utilisation d'autres accessoires peut augmenter le risque de blessure. Reportez-vous à la section « Accessoires recommandés » au début de ce manuel.



Entretien de la machine

1. Inspecter le rouleau à rainurer et l'arbre d'entraînement. Remplacez les rouleaux usés.
2. Lubrifiez avec de la graisse tout usage à travers les trois raccords de graissage (voir figure 1).
3. Gardez la clé à cliquet et le bouton de la vis de réglage sec et propre. Conservez à l'abri de l'huile et de la graisse.
4. Suivez toutes les instructions d'entretien fournies avec le bloc d'entraînement.

Instructions de rainurage électrique

Assemblage du couteau à rainurer RGCOMBO2

1. Vissez les deux tiges de soutien dans les côtés du corps principal du couteau à rainurer (figure 1). Serrer solidement les tiges de support avec une clé à tuyau.
2. La clé à cliquet incluse peut être insérée dans la vis d'alimentation après l'assemblage.

Installation du bloc d'entraînement

1. Retirer le chariot ou les autres accessoires du bloc d'entraînement.
2. Ouvrez entièrement le mandrin avant du bloc d'entraînement.
3. Fixez le RGCOMBO2 sur le bloc d'entraînement avec les tiges de support RGCOMBO2 reposant sur les rails du chariot du bloc d'entraînement. Maintenez le RGCOMBO2 avec une main.
4. Avec l'autre main, tournez l'arbre d'entraînement RGCOMBO2 afin d'aligner les facettes avec les mâchoires sur le mandrin du bloc d'entraînement.
5. Serrez le mandrin du bloc d'entraînement sur l'arbre d'entraînement RGCOMBO2.

Préparation du tuyau

1. Les extrémités des tuyaux doivent être coupées carrées. N'utilisez pas de chalumeau coupeur.
Remarque : lors du réglage de la profondeur du couteau à rainurer, le tuyau d'essai ne devrait pas avoir une grande bavure en saillie vers l'intérieur. Utilisez un alésoir à tuyau modèle 2-71 de Reed pour un tuyau de 5 cm(2 po) ou un autre outil approprié pour ébavurer le tuyau d'essai. Une fois la profondeur de rainure réglée, l'ébavurage des tuyaux n'est pas nécessaire.
2. L'ovalisation de la tuyauterie ne doit pas dépasser la valeur totale de tolérance du diamètre extérieur indiquée dans les spécifications des rainures du tableau 1.
Remarque : déterminez l'ovalisation en mesurant le diamètre extérieur maximum et minimum à un écart de 90 ° l'un et l'autre.
3. Toutes les perles de soudure internes ou externes, le flash ou les joints doivent être rincés à au moins 2 pouces de l'extrémité du tuyau.
Remarque : ne coupez pas ou ne broyez pas les facettes sur la zone du montage du joint.

Longueur de tuyau

Le tableau ci-dessous indique la longueur minimale du tuyau à rainurer et la longueur maximale à rainurer sans lève-tube.

Longueurs de tuyaux rainurables - pouces

Dimension nominale des tuyaux	Longueur minimale	Longueur maximale sans lève-tube
1-1/4	8	36
1-1/2	8	36
2	8	36
2-1/2	8	36
3	8	36
3-1/2	8	36
4	8	36
4-1/2	8	32
5	8	32
6 O.D.	10	30
6	10	28

Installation du tuyau

1. Les tuyaux plus longs que les longueurs maximales indiquées dans le tableau ci-dessus doivent être supportés par un lève-tube. Le lève-tube doit être placé au 3/4 de la longueur du tuyau à partir du couteau à rainurer. Les tuyaux très longs peuvent nécessiter deux lève-tubes.
2. Soulever le couteau à rainurer RGCOMBO2 en rétractant la vis d'alimentation. Installez le tuyau sur l'arbre d'entraînement et le lève-tube.
3. Placez le tuyau et le lève-tube au couteau à rainurer en s'assurant que le tuyau est affleurant contre la plaque de recouvrement du couteau à rainurer.
4. Nivelez le tuyau en réglant la hauteur du vérin du lève-tube. L'axe du tuyau doit être au niveau de l'axe de la machine (figure 2, page 8).
5. Placez l'outil pour tuyau.



Réglage de la profondeur de la rainure

Remarque : afin d'assurer le diamètre de rainure approprié, une rainure d'essai devrait être réalisée.

Remarque : la vis de réglage doit être réglée pour chaque diamètre de tuyau.

1. Desserrez la vis de réglage (dans le sens inverse des aiguilles d'une montre) pour permettre l'avancement du couteau à rainurer vers le bas jusqu'au tuyau.
2. Faites tourner la vis de réglage (dans le sens des aiguilles d'une montre) jusqu'à ce que le couteau à rainurer soit bien serré contre le haut du tuyau. Assurez-vous que le couteau à rainurer touche le tuyau et que la tête de la vis de réglage ne touche pas le fond.

Remarque : pour de meilleurs résultats, le tuyau d'essai devrait être ébavuré. Les bavures à l'intérieur du tuyau éloigneront le tuyau de l'arbre d'entraînement, ce qui provoquera un réglage inexact. Une fois que la profondeur de rainure adéquate a été vérifiée par une rainure d'essai, l'ébavurage des tuyaux suivants n'est pas nécessaire. Reportez-vous à l'étape 1 de « **Préparation des tuyaux** ».

3. À l'aide de la jauge de profondeur marquée avec la dimension du tuyau à rainurer, placez la jauge de profondeur sous la tête de la vis de réglage à l'aide de la fente de la jauge à plat.
4. Faites avancer la vis de réglage vers le bas jusqu'à ce que le dessous de la tête touche la jauge de profondeur.
5. Retirez la jauge de profondeur.

Remarque : il peut s'avérer nécessaire de réajuster la vis de réglage après que la rainure d'essai ait été effectuée. Chaque 1/4 de tour de la vis de réglage produira un changement de diamètre de 0,02 po de la rainure laminée. Le serrage de la vis de réglage augmentera le diamètre de la rainure. Le desserrage de la vis de réglage diminuera le diamètre de la rainure.

Création de la rainure

1. Placez le bloc d'entraînement en position marche arrière (REV) pour la rotation dans le sens antihoraire de l'arbre d'entraînement et du tuyau.
2. Appuyez sur le commutateur au pied (pédale) du bloc d'entraînement et appliquez une légère pression sur le tuyau en avançant la vis d'alimentation avec la clé à cliquet droite.

Avertissement : si le tuyau tend à « se retirer » de l'outil.

- a. Vérifiez que le tuyau est assis au niveau, s'il n'est pas de niveau, corrigez.
- b. Vérifiez que le tuyau tourne dans le sens indiqué par l'autocollant sur l'outil.
- c. Décalez l'extrémité distante du tuyau vers le côté de l'opérateur (le côté avec le commutateur REV/OFF/FOR). Un décalage de 2,5 cm (1 po) par 3 m (10 pi) du tuyau devrait fonctionner. (voir figure 2).

Mise en garde : tenir les mains à l'écart de la zone de la manette du bloc d'entraînement/de la poignée du mandrin et du rouleau à rainurer lorsque l'outil est en marche.

3. Avec le tuyau fixé correctement et l'extrémité du tuyau contre la plaque de recouvrement, appuyez sur le commutateur au pied (pédale) et commencer à avancer la vis d'alimentation avec la clé à cliquet, permettant une rotation complète du tuyau entre les coups de la clé à cliquet.

Mise en garde : ne pas suralimenter. Permettre une rotation complète du tuyau entre les avances. Pour plus de détails, référez-vous au tableau 2.

4. Poursuivez l'alimentation jusqu'à ce que la vis de réglage entre en contact avec la surface supérieure du couteau à rainurer. Laissez le tuyau faire deux rotations complètes en position de fond pour assurer une profondeur de rainure uniforme.

Avertissement : ne pas serrer la vis d'alimentation après que la vis de réglage ait touché le fond. Cela pourrait endommager la vis de réglage.

5. Relâchez la pédale pour arrêter la machine et commencez à rétracter la vis d'alimentation en tournant la clé à cliquet dans le sens inverse des aiguilles d'une montre. Retirez la vis d'alimentation suffisamment pour pouvoir enlever le tuyau de la machine.
 6. Mesurez le diamètre de la rainure à deux endroits d'écart à 90°. Les deux mesures doivent être comprises dans la tolérance indiquée de la dimension affichée au tableau 1.
 7. Pour augmenter le diamètre de la rainure, serrez la vis de réglage. Pour diminuer le diamètre de la rainure, desserrez la vis de réglage. **Chaque 1/4 de tour de la vis de réglage changera le diamètre d'environ 0,02 po.**
- Remarque :** une fois que la profondeur de la rainure a été réglée, les rainures suivantes auront la même profondeur.
8. Vérifiez régulièrement la profondeur de la rainure avec un raccord mécanique. **Le raccord doit s'asseoir complètement dans la rainure sans contrainte ni jeu excessif.**

Conseils de rainurage

1. Si le tuyau à tendance à « se retirer » de l'arbre d'entraînement, augmentez le décalage latéral du tuyau (voir figure 2 - Installation du tuyau).
2. Si la plaque de recouvrement rase l'extrémité du tuyau, diminuez le décalage latéral du tuyau.
3. Si l'évasement de l'extrémité du tuyau est excessif, rabaissez l'extrémité du tuyau afin d'être au niveau du couteau à rainurer.
4. Si le tuyau oscille et/ou « s'éloigne » de l'arbre d'entraînement, soulevez l'extrémité du tuyau au niveau du couteau à rainurer.
5. Les tuyaux de plus petites longueurs (moins de trois pieds) peuvent nécessiter une légère pression manuelle pour maintenir le décalage latéral.

Instructions de rainurage manuel

1. Situation :

- Tuyau fixé à l'étau : fixez solidement l'étau de tuyau (de type chaîne) sur un support ou un établi sécurisé. Laissez le tuyau surplomber la base de 12,7 à 30,5 cm (5 à 12 po) afin que l'outil tourne librement et ne touche pas l'étau. (voir figure 3).
- Tuyau installé (rainurage en place) : vérifiez que les supports de tuyau peuvent accueillir le poids du RGCOMBO2 plus l'effort manuel requis pour faire fonctionner l'outil.

2. Montage de l'outil

- Rétractez le rouleau supérieur en tournant la vis d'alimentation dans le sens inverse des aiguilles d'une montre.
- Insérez l'arbre d'entraînement dans le tuyau avec le couteau à rainurer à l'extérieur.
- Rapprochez les rouleaux en tournant la vis d'alimentation dans le sens des aiguilles d'une montre jusqu'à ce que l'arbre d'entraînement et le couteau à rainurer entrent légèrement en contact avec le tuyau.
- Tenir compte de la flèche pour la direction du tuyau « PIPE DIRECTION » gravée sur le bloc coulissant de l'outil. (Figure 4).

3. Définir la profondeur de la rainure

Remarque : afin d'assurer le diamètre de rainure approprié, une rainure d'essai devrait être réalisée.

Remarque : la vis de réglage doit être réglée pour chaque diamètre de tuyau.

- Desserrer la vis de réglage (dans le sens inverse des aiguilles d'une montre) pour permettre l'avancement du couteau à rainurer vers le bas jusqu'au tuyau.
- Faites tourner la vis de réglage (dans le sens des aiguilles d'une montre) jusqu'à ce que le couteau à rainurer soit bien serré contre le haut du tuyau. Assurez-vous que le couteau à rainurer touche le tuyau et que la tête de la vis de réglage ne touche pas le fond.

Remarque : pour de meilleurs résultats, le tuyau d'essai devrait être ébavuré. Les bavures à l'intérieur du tuyau éloigneront le tuyau de l'arbre d'entraînement, ce qui provoquera un réglage inexact. Une fois que la profondeur de rainure adéquate a été vérifiée par une rainure d'essai, l'ébavurage des tuyaux suivants n'est pas nécessaire. Reportez-vous à l'étape 1 de « Préparation des tuyaux ».

- À l'aide de la jauge de profondeur marquée avec la dimension du tuyau à rainurer, placez la jauge de profondeur sous la tête de la vis de réglage à l'aide de la fente de jauge à plat.
- Faites avancer la vis de réglage vers le bas jusqu'à ce que le dessous de la tête touche la jauge de profondeur.
- Retirez la jauge de profondeur.

Remarque : il peut s'avérer nécessaire de réajuster la vis de réglage après que la rainure d'essai ait été effectuée. Chaque 1/4 de tour de la vis de réglage produira un changement de diamètre de 0,02 po de la rainure laminée. Le serrage de la vis de réglage augmentera le diamètre de la rainure. Le desserrage de la vis de réglage diminuera le diamètre de la rainure.

4. Création de la rainure

- Faites avancer la vis d'alimentation de la quantité spécifiée dans le tableau 1.
- À l'aide de la rallonge de la douille et de la rallonge de la poignée coudée, tournez le vilebrequin de façon à ce que le tuyau avance dans l'outil comme indiqué par la flèche.
- Faites un tour complet de l'outil autour du tuyau avant d'avancer la vis d'alimentation à nouveau.
- Poursuivez le rainurage jusqu'à ce que vous atteignez la profondeur désirée. (La vis de réglage peut limiter l'avance de la vis d'alimentation. Pour plus de détail, référez-vous à la section « Réglage de la profondeur de la rainure »).

5. Démontez l'outil, rétractez complètement la vis d'alimentation, soulevez et retirez l'outil du tuyau.



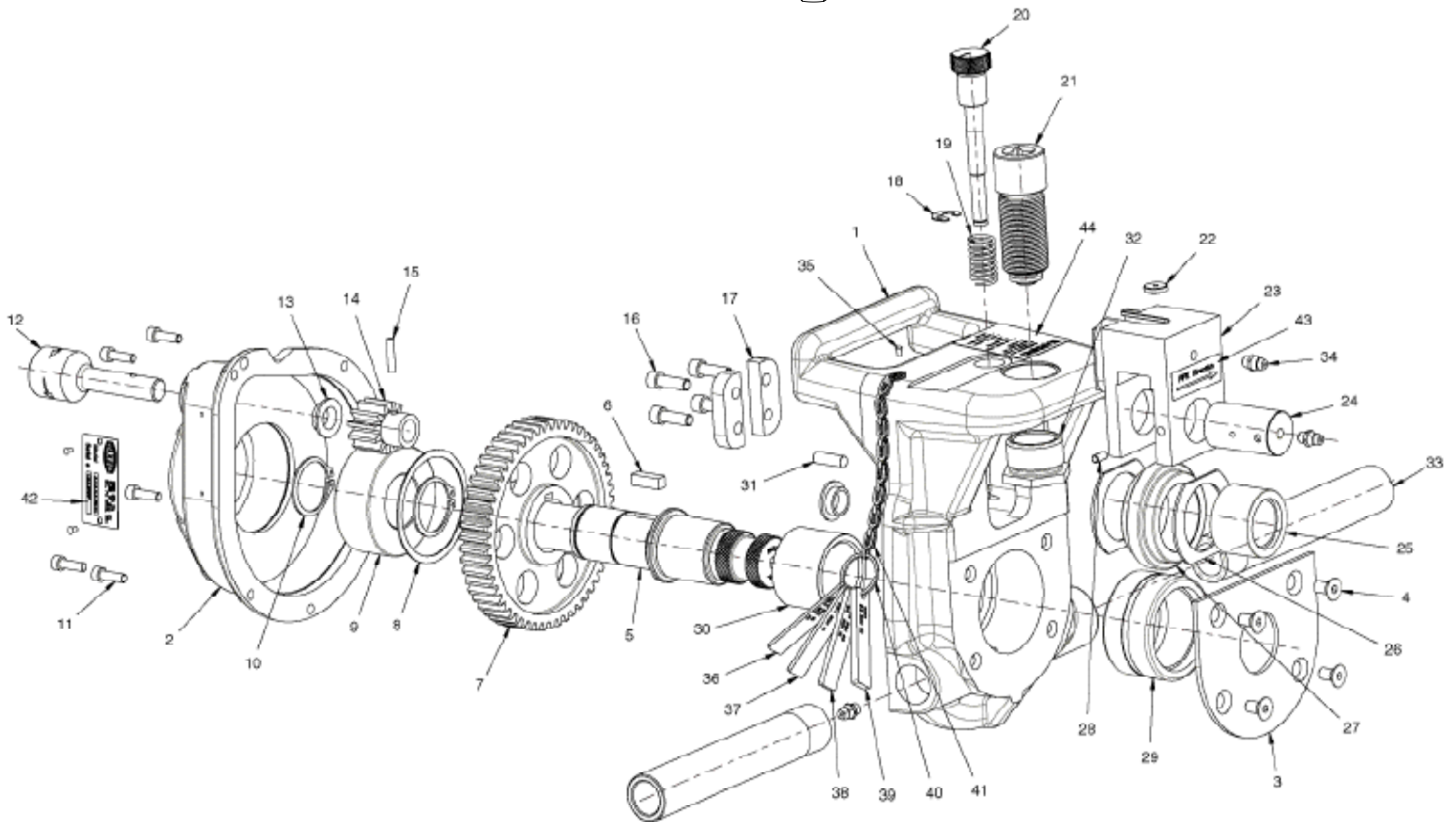
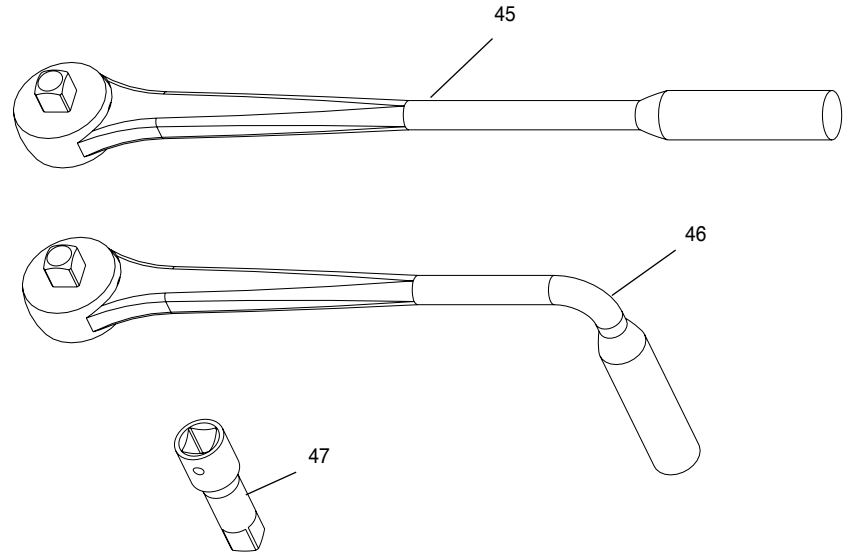
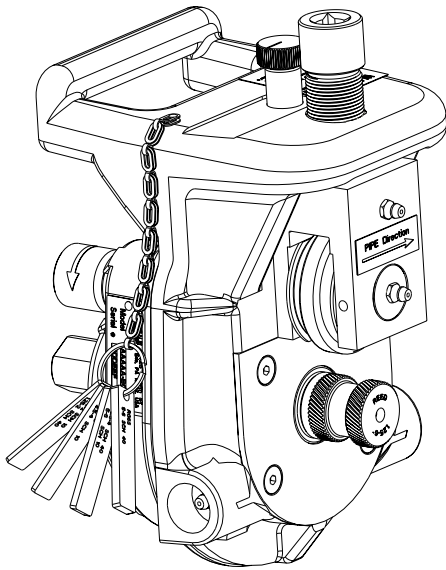
Figure 3 - Installation du tuyau



Figure 4. Direction du tuyau



Parts Breakdown
Desglose de piezas
Répartition des pièces





Parts List / Lista de piezas / Liste des pièces

Ref. No.	Description	Descripción	Description	Item Code / Item Code / Code d'article	Qty Qty Qté
1	Main Body	Unidad principal	Corps principal	99200	1
2	Gear Housing	Caja de engranajes	Carter d'engrenage	99201	1
3	Cover Plate	Placa de cubierta	Plaque de recouvrement	99203	1
4	1/4 - 20 x 1/2 Flat Head Socket	Casquillos de cabeza plana	Embase tête plate 1/4 - 20 x 1/2	30216	4
5	Driveshaft	Dispositivo de toma de fuerza	Arbre d'entraînement	99219	1
6	Key 1/4 x 1/4 x 3/4	Llave 1/4 x 1/4 x 3/4	Clé 1/4 x 1/4 x 3/4	39208	1
7	Gear, Manual Drive Shaft	Engranaje, eje de transmisión manual	Boîte de vitesse	99208	1
8	Retaining Ring	Anillo de retención	Anneau de retenue	30207	1
9	Bottom Thrust Bearing	Cojinete de empuje inferior	Roulement de butée inférieur	40432	1
10	Retaining Ring	Anillo de retención	Anneau de retenue	30211	2
11	10 - 24 x 5/8 SHCS	10 - 24 x 5/8 SHCS	Vis à tête creuse 10 - 24 x 5/8	39200	5
12	Crank Shaft	Cigüeñal	Vilebrequin	98587	1
13	Bronze Bushing	Buje de bronce	Douille en bronze	40461	2
14	Gear, Crankshaft	Engranaje, Cigüeñal	Engrenages, Vilebrequins	99210	1
15	Coil Spring Pin	Pin de resorte de bobina	Goupille à ressort à enroulement	38587	1
16	1/4 - 20 x 5/8 SHCS	1/4 - 20 x 5/8 SHCS	Vis à tête creuse 1/4 - 20 x 5/8	30105	4
17	Slide Block Retainer	Retenedor de cruceta	Vis à tête creuse 1/4 - 20 x 5/8	99218	2
18	Retaining Ring	Anillo de retención	Anneau de retenue	30209	1
19	Compression Spring	Muelle de compresión	Ressort de compression	30212	1
20	Adjusting Screw	Tornillo de ajuste	Vis de réglage	98509	1
21	Feed Screw	Tornillo de alimentación	Vis d'alimentation	98504	1
22	Thrust Washer	Arandela de empuje	Rondelle de butée	93044	1
23	Slide Block	Cruceta	Bloc latéral	99216	1
24	Groove Roll Shaft	Eje del rodillo ranurador	Arbre du couteau à rainurer	98505	1
25	Top Roll Bearing	Rodamiento superior del rodillo	Roulement de rouleau supérieur	40431	1
26	Thrust Washer	Arandela de empuje	Rondelle de butée	98590	2
27	Groove Roll	Rodillo ranurador	Couteau à rainurer	98589	1
28	Socket Set Screw	Tornillo prisionero	Vis de serrage	30214	1
29	Bottom Roller Bearing	Rodamiento de rodillos inferior	Roulement de rouleau inférieur	40433	1
30	Roller Bearing - Inner Ring	Rodamiento de rodillos - Anillo interior	Roulement à rouleaux - Bague intérieure	40430	1
31	Dowel Pin	Pasador de espiga	Goupille de positionnement	38847	1
32	Threaded Bushing	Casquillo roscado	Douille filetée	99215	1
33	Support Bar	Barra de soporte	Barre d'appui	98511	2
34	Grease Fitting	Engrasador	Raccord de graissage	40338	3
35	Standard Type U Zinc Plated	U Modelo estándar zincado	Zinc plaqué standard de type U	30133	3
36	Depth Gauge	Medidor de Profundidad	Jauge de profondeur	98517	1
37	Depth Gauge	Medidor de Profundidad	Jauge de profondeur	98514	1
38	Depth Gauge	Medidor de Profundidad	Jauge de profondeur	98513	1
39	Depth Gauge	Medidor de Profundidad	Jauge de profondeur	98512	1
40	Split Ring	Anillo partido	Jauge de profondeur	40204	1
41	Brass Safety Chain	Cadena de seguridad de metal	Chaîne de sécurité en laiton	40434	1
42	Metalphoto Tag	Etiqueta Metalphoto	Étiquetage métalphoto	99204	1
43	Pipe Direction Sticker	Etiqueta de dirección de tubo	Autocollant de direction de tuyau	59209	1
44	Roll Groove Sticker	Etiqueta de ranuradora de rodillo	Autocollant de rainure du rouleau	50516	1
45	Ratchet	Trinquete	Cliquet	40208	1
46	Ratchet - Bent Handle	Trinquete de mango curvo	Cliquet - poignée coudée	98593	1
47	Socket Extension	Alargador	Rallonge de douille	48594	1



Reed Lifetime Warranty

Reed Hand Tools are for the professional trade and are warranted against all failure due to defects in workmanship and materials for the normal life of the tool.

FAILURES DUE TO MISUSE, ABUSE, OR NORMAL WEAR AND TEAR ARE NOT COVERED BY THIS WARRANTY.

Power units for Universal Pipe Cutters, Saw It®, hydrostatic test pumps, and threading power drives are warranted for a period of one year from date of purchase. Hydraulic pumps for PE Squeeze-Off tools have a one year warranty from date of purchase.

NO PARTY IS AUTHORIZED TO EXTEND ANY OTHER WARRANTY. NO WARRANTY FOR MERCHANTABILITY OR FITNESS FOR A PARTICULAR PURPOSE SHALL APPLY.

No warranty claims will be allowed unless the product in question is received freight prepaid at the Reed factory. All warranty claims are limited to repair or replacement, at the option of the company, at no charge to the customer. Reed is not liable for any damage of any sort, including incidental and consequential damages. Some states do not allow the exclusion or limitation of incidental or consequential damages, so the above exclusion may not apply.

This warranty gives you specific legal rights, and you may also have other rights which vary from state to state.

Garantía de por vida de Reed

Las herramientas manuales de Reed son para uso profesional y están garantizadas contra cualquiera avería por defectos de mano de obra y materiales durante la vida útil normal de la herramienta.

LAS AVERÍAS DEBIDO AL MAL USO Y EL ABUSO, O LA ROTURA Y EL DESGASTE NORMALES, NO ESTÁN CUBIERTAS POR ESTA GARANTÍA.

Las unidades motrices para cortatubos universales UPC, Saw It®, bombas para pruebas hidrostáticas y motopropulsores para roscado están garantizadas durante un periodo de un año a partir de la fecha de compra. Las bombas hidráulicas para prensas de flujo tienen una garantía de un año a partir de la fecha de compra.

NADIE ESTÁ AUTORIZADO A OTORGAR NINGUNA OTRA GARANTÍA. NO SE APLICARÁ NINGUNA GARANTÍA DE COMERCIABILIDAD O IDONEIDAD PARA UN FIN PARTICULAR.

No se permitirá ningún reclamo de garantía excepto que el producto en cuestión se reciba con flete prepago en la fábrica de Reed. Todos los reclamos de garantía están limitados a la reparación o la sustitución, a elección de la empresa, y sin cargo para el cliente. REED NO ES RESPONSABLE DE DAÑOS DE NINGÚN TIPO, INCLUIDOS LOS DAÑOS CIRCUNSTANCIALES E INDIRECTOS. En algunos estados no se permite la exclusión o la limitación de los daños circunstanciales o indirectos, por lo que la exclusión anterior puede no aplicarse.

Esta garantía le otorga derechos legales específicos, y usted puede contar también con otros derechos que varían de un estado a otro.

Garantie à vie de Reed

Les outils de travail fabriqués par la société Reed sont fabriqués pour les professionnels de l'industrie et sont garantis si l'outil est devenu inutilisable à cause d'un vice de fabrication ou de matériel, et ce, pour la durée de vie de l'outil.

LA GARANTIE DEVIENT NULLE SI L'OUTIL EST RENDU INUTILISABLE À CAUSE D'UNE UTILISATION INAPPROPRIÉE OU ABUSIVE OU PAR L'USURE NORMALE DE L'OUTIL.

Les groupes moteurs pour les coupe-tubes universels, Saw It®, et celles des pompes de test hydrostatique sont garantis pour une durée d'un an à compter de la date d'achat. Pompes hydrauliques pour outils de serrage (polyéthylène PE) ont une garantie d'un an à compter de la date d'achat. AUCUNE AUTRE ENTREPRISE N'EST AUTORISÉE À PROLONGER LA GARANTIE. LES GARANTIES À VIE OFFERTE PAR LA SOCIÉTÉ REED, PRÉCISÉES AUX PRÉSENTES, REMPLACENT TOUTES GARANTIES, EXPRESSES OU IMPLICITES, Y COMPRIS NOTAMMENT LES GARANTIES IMPLICITES CONCERNANT LA QUALITÉ MARCHANDE ET LA DESTINATION À UN USAGE DONNÉ.

Aucune réclamation de garantie ne sera acceptée par notre usine sans que son port ait été payé par son expéditeur. Toutes réclamations sous garantie se limitent à la réparation ou le remplacement de l'outil, selon la discrétion de l'entreprise et sans frais pour le client. La Société Reed n'engage aucune responsabilité, directe ou conditionnelle. Les exclusions ou restrictions ci-dessus ne s'appliquent pas dans les provinces ou États qui n'autorisent pas l'exclusion ou la restriction des dommages consécutifs ou indirects. Aucune garantie offerte par la société Reed ne peut contrevir aux lois des États ou provinces dans ce cas les lois des États ou provinces auront la préséance.

La présente garantie confère au propriétaire certains droits auxquels peuvent s'en ajouter d'autres selon l'État ou la province de résidence.

CAUTION: Safety reminders for a professional approach to tool selection and use.

- Proper maintenance of tools is critical to personal safety; worn tools should be repaired or replaced as required.
- Select the correct tool and tool size for the job. Never modify a tool to exceed its intended capacity.
- We recommend the Hand Tools Institute booklets for additional safety tips. Booklets are available from Reed or the Hand Tools Institute.

PRECAUCIÓN: Recordatorios de seguridad para un enfoque profesional de selección y uso de herramientas.

- El mantenimiento adecuado de las herramientas es fundamental para la seguridad personal; Las herramientas desgastadas deben ser reparadas o reemplazadas según sea necesario.
- Seleccione la herramienta y el tamaño de herramienta correctos para el trabajo. Nunca modifique una herramienta para exceder su capacidad prevista.
- Para consejos adicionales de seguridad, recomendamos los folletos del Instituto de Herramientas Manuales. Los folletos están disponibles en Reed o en el Instituto de Herramientas Manuales.

MISE EN GARDE : rappels de sécurité pour une approche professionnelle à la sélection et à l'utilisation des outils.

- Un bon entretien des outils est essentiel à la sécurité personnelle; les outils usés doivent être réparés ou remplacés le cas échéant.
- Choisir l'outil et la dimension d'outil appropriés au travail à effectuer. Ne jamais modifier un outil pour dépasser sa capacité prévue.
- Pour obtenir des conseils de sécurité supplémentaires, nous vous recommandons de consulter les brochures de l'Institut des outils manuels. Des brochures sont disponibles auprès de Reed ou de l'Institut des outils manuels.



PIPE TOOLS & VISES
SINCE 1896

REED MANUFACTURING COMPANY

1425 WEST EIGHTH ST. ERIE, PA 16502 USA PHONE: 800-666-3691 OR 814-452-3691 FAX: 800-456-1697 OR 814-455-1697

www.reedmfco.com